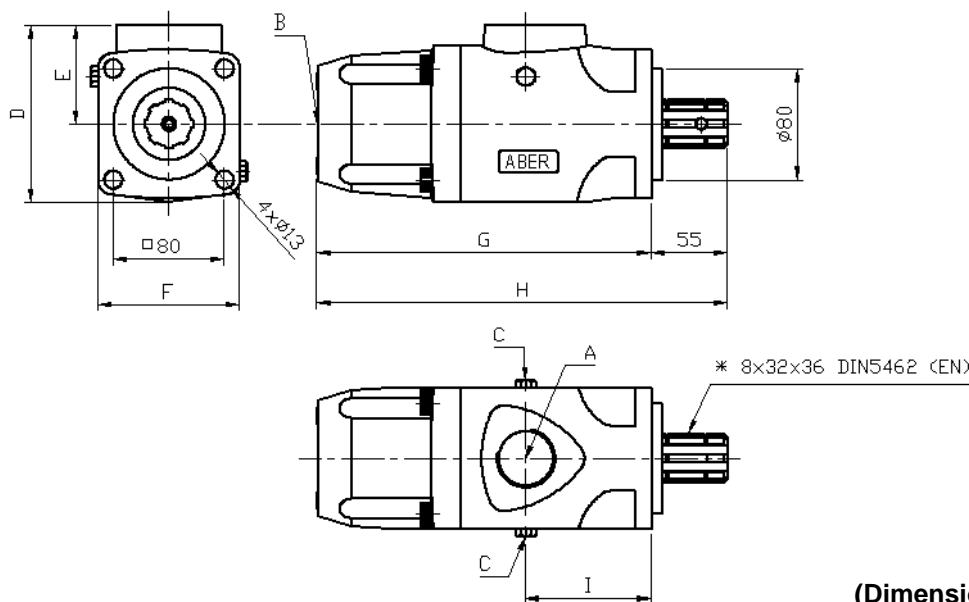


Main Dimensions



Main Data

Pumps BHT_EN	25519	25619	22819
Cylinder capacity (cm ³ /rot.)	50	60	80
Output at max. rotation (l/min)	75	90	108
Operating pressure (bar) (up to)	320	320	320
Peak pressure (bar)	370	370	370
Rotation Mín. (rpm)	200	200	200
Rotation Máx. (rpm)	1500	1500	1350
Weight (kg)	13	13	16
Sense of Rotation	Bi-directional		
A-Oil inlet (BSP)	1"1/4	1"1/4	1"1/2
B-Oil Outlet (BSP)	3/4"	3/4"	1"
C	Oil drain plug		
D	125	125	148
E	69	69	72
F	102	102	118
G	240	240	259
H	295	295	314
I	90	90	118

How to order:

Example: Pump 60cm³, operating pressure up to 320 bar; peak pressure 370 bar; ref. BHT with DIN 5462 (EN) → BHT25619EN

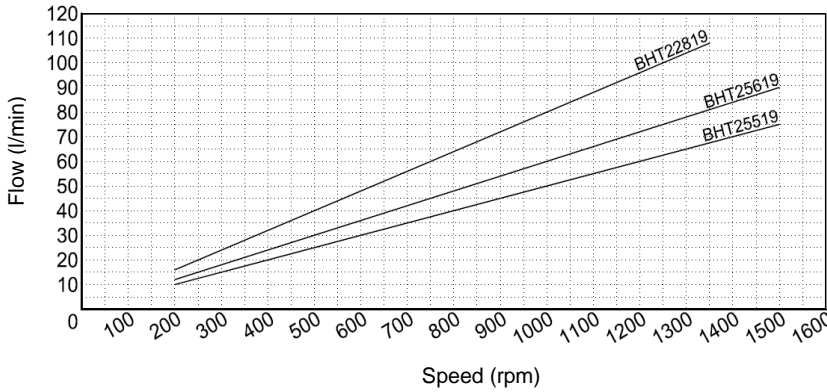
ABER is constantly engaged in improving its products and, therefore, reserves itself the right to modify without any further notice the characteristics shown



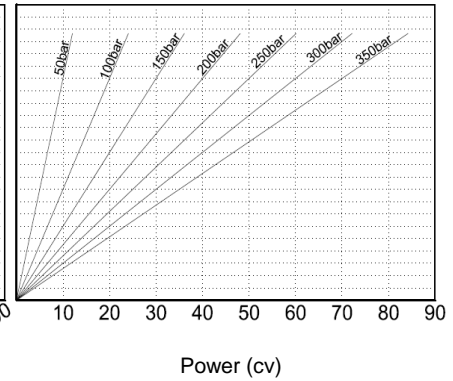
OIL-HYDRAULIC PUMP AXIAL PISTONS

Ref. BHT_EN

**Diagram
Flow - Speed**



**Diagram
Input Power - Flow – Pressure**



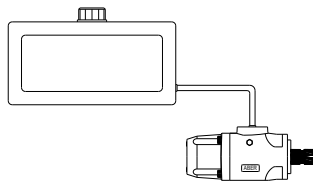
Hose dimensions

Inlet Hose	
Flow (l/min)	Internal pipe diameter (inch)
30-40	1"1/4
50-60	1"1/2
70-90	1"3/4
100-120	2"

Outlet Hose					
Flow (l/min)	Internal pipe diameter (inch)				
	50-100	100-150	150-200	200-300	300-350
30	1/2"	1/2"	1/2"	1/2"	1/2"
40	5/8"	1/2"	1/2"	1/2"	1/2"
50	5/8"	5/8"	5/8"	1/2"	1/2"
60	3/4"	5/8"	5/8"	5/8"	5/8"
70	1"	3/4"	3/4"	5/8"	5/8"
80	1"	3/4"	3/4"	3/4"	3/4"
90	1"	1"	1"	3/4"	3/4"
100	1"	1"	1"	1"	3/4"
110	1"	1"	1"	1"	1"
	P (bar)				
	50-100	100-150	150-200	200-300	300-350

IMPORTANT NOTES:

- ✓ Other axis available, please consult "Axel options"
- ✓ Diameter of inlet pipes lower than indicated in our technical catalogues as well as a poor sealing can cause cavitation phenomenon to occur, thereby deteriorating the pump
- ✓ Keep up the deposit above pump level
- ✓ Used always return filters. We recommend filters with mesh equal to or lower than 25 µm
- ✓ The connection of inlet pipes in the pump, can be done by threading or flange and the sealing by orring
- ✓ Use a good quality mineral hydraulic-oil with viscosity at operating temperature between 20 and 46 cSt
- ✓ Fill the oil tank to 85% of its maximum capacity (the remainder 15% must not have oil)



Keep up the deposit above pump level

ABER is constantly engaged in improving its products and, therefore, reserves itself the right to modify without any further notice the characteristics shown



ABER - Embraiagens e Comandos Hidráulicos - A. B. LDA
 Rua Francisco de Almeida, Nº 30 – Vila Nova da Telha – 4470 MAIA - Portugal
 Telephone: +351.22.9438070 Fax: +351.22.9420823 e-mail: aber@aber.pt <http://www.aber.pt>